

DGC SERIES

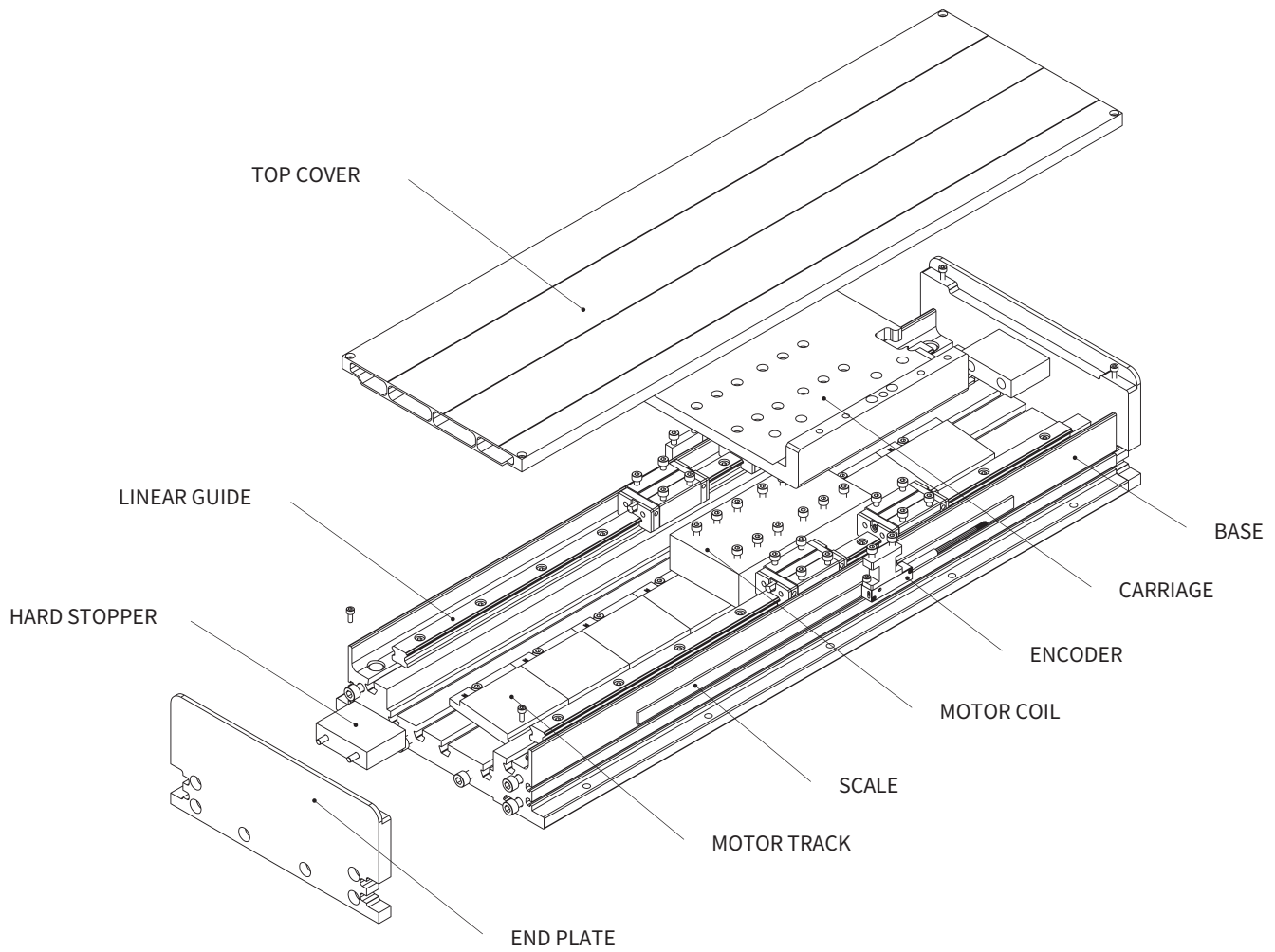
- ▶ Linear motor positioning system
- ▶ Short lead time
- ▶ High price-performance ratio
- ▶ Easy installation

DGC205 Series

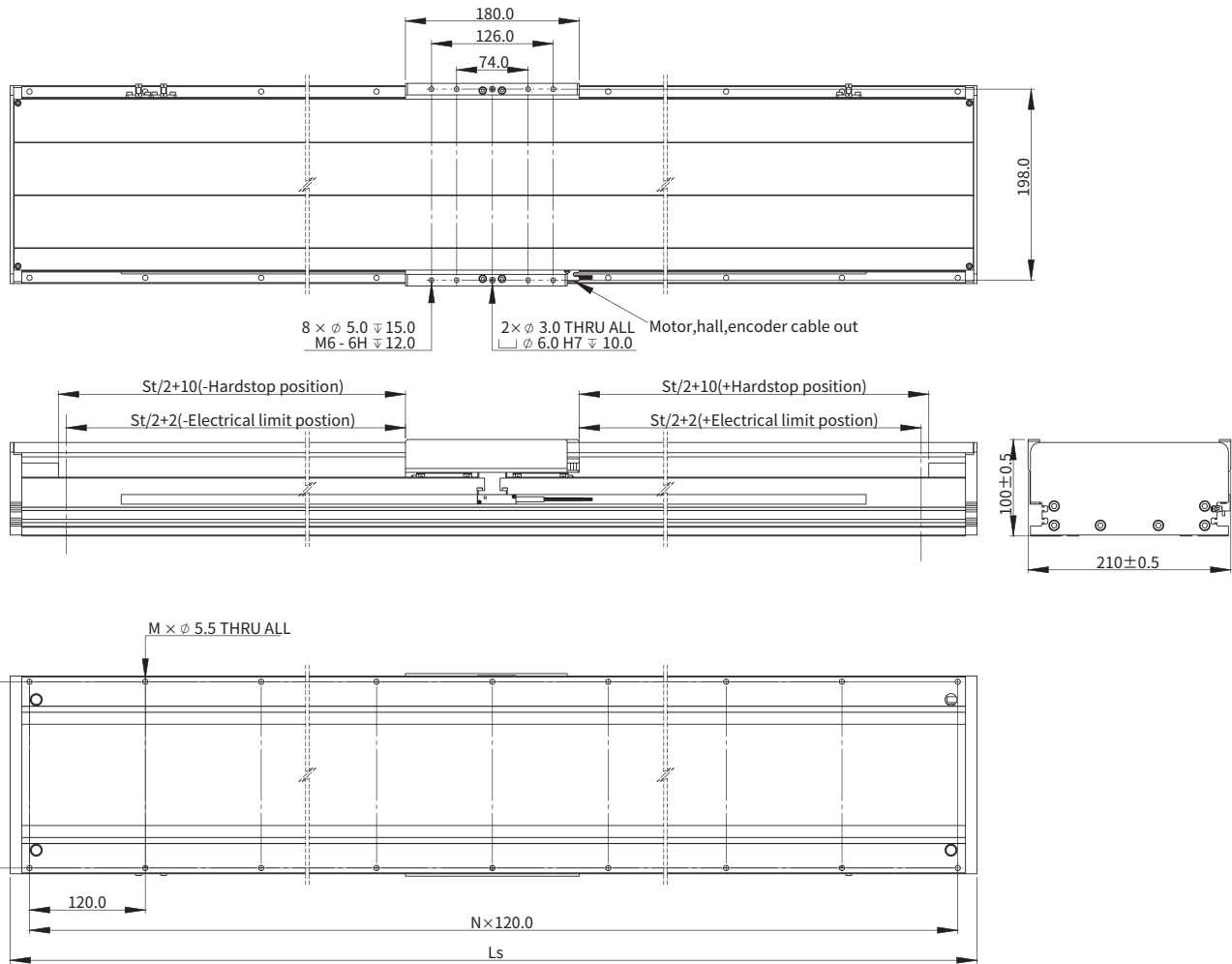
Module Model	Unit	DGC205-AQM50-B1	DGC205-AQM50-B2	DGC205-AQM80-B1	DGC205-AQM80-B2
Continuous Force	N	126.6	253.1	202.5	405.0
Peak Force	N	318.9	637.9	510.3	1020.6
Effective Stroke	mm	100~1100	100~1100	100~1100	100~1100
Encoder Resolution ¹	μm	0.5, 1.0	0.5, 1.0	0.5, 1.0	0.5, 1.0
Repeatability	μm	0.5 Resolution: ±5; 1.0 Resolution: ±10			
Straightness	μm/mm	±10/300	±10/300	±10/300	±10/300
Max Speed	m/s	2	2	2	2
No-load Moving Mass	kg	3.3	5.6	3.9	6.8

¹ 0.5 μm resolution: TTL digital optical scale, 1.0 μm resolution: TTL digital magnetic scale.

Exploded View

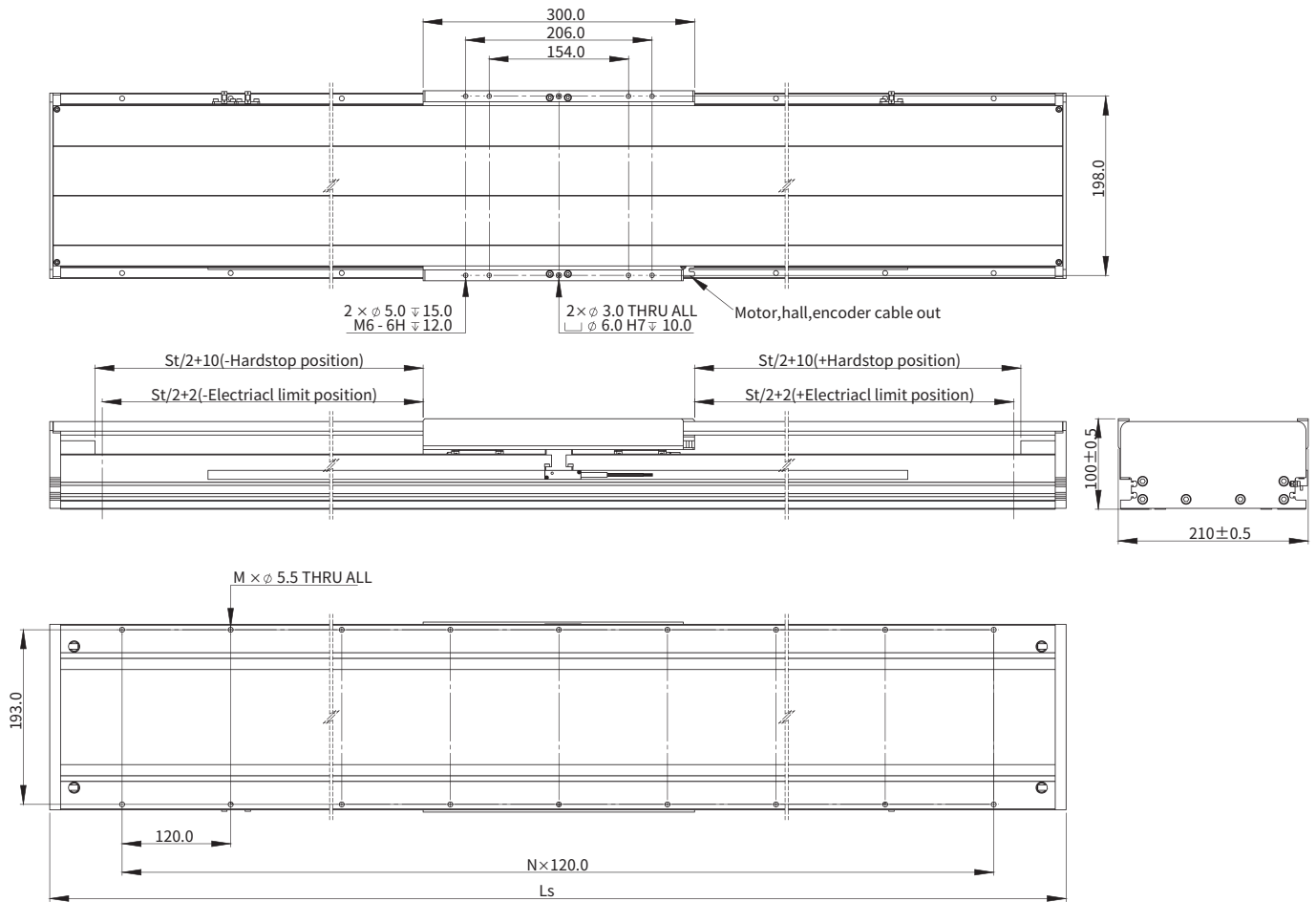


DGC205-B1 Dimension Drawing



Effective Stroke(mm)	Module Length L_s (mm)	N	M	Module Mass (kg)	
				DGC205-AQM50-B1	DGC205-AQM80-B1
100	400	2	6	14	15
200	500	2	6	16	17
300	600	4	10	18	19
400	700	4	10	20	22
500	800	6	14	23	25
600	900	6	14	25	27
700	1000	8	18	28	30
800	1100	8	18	30	32
900	1200	8	18	32	34
1000	1300	10	22	34	37
1100	1400	10	22	37	40

DGC205-B2 Dimension Drawing



Effective Stroke(mm)	Module Length Ls (mm)	N	M	Module Mass (kg)	
				DGC205-AQM50-B2	DGC205-AQM80-B2
100	520	4	10	18	20
200	620	4	10	21	23
300	720	4	10	23	25
400	820	6	14	25	28
500	920	6	14	28	30
600	1020	8	18	30	33
700	1120	8	18	32	35
800	1220	8	18	35	38
900	1320	10	22	37	40
1000	1420	10	22	40	43
1100	1520	12	26	42	45

Ordering Part Number (OPN)

DC1 S 01 Q30 EOF 1 A 1

Model:

DC1: DGC205

Termination:

1: Flying Leads
2: DSUB

Cable Length:

A: 0.5m

Cover Type:

S: Standard (Clear Anodized)

Scale Type:

1: Steel tape, 11ppm/K
7: Magnetic Tape, 17ppm/K

Effective Stroke:

01: 100mm
02: 200mm
03: 300mm
04: 400mm
05: 500mm
06: 600mm
07: 700mm
08: 800mm
09: 900mm
10: 1000mm
11: 1100mm

Encoder Type:

E0F: ABI-21 (0.5µm)
EDE: LEC200 (1.0µm)

Motor Type:

Q30: AQM50-B1-J (Peak Force: 318.9N)
Q31: AQM50-B1-K (Peak Force: 318.9N)
Q32: AQM50-B2-J (Peak Force: 637.9N)
Q33: AQM50-B2-K (Peak Force: 637.9N)
Q40: AQM80-B1-J (Peak Force: 510.3N)
Q41: AQM80-B1-K (Peak Force: 510.3N)
Q42: AQM80-B2-J (Peak Force: 1020.6N)
Q43: AQM80-B2-K (Peak Force: 1020.6N)

Note:

① Standard stroke in intervals of 100mm only, for more options, please contact Akribis sales engineers.

